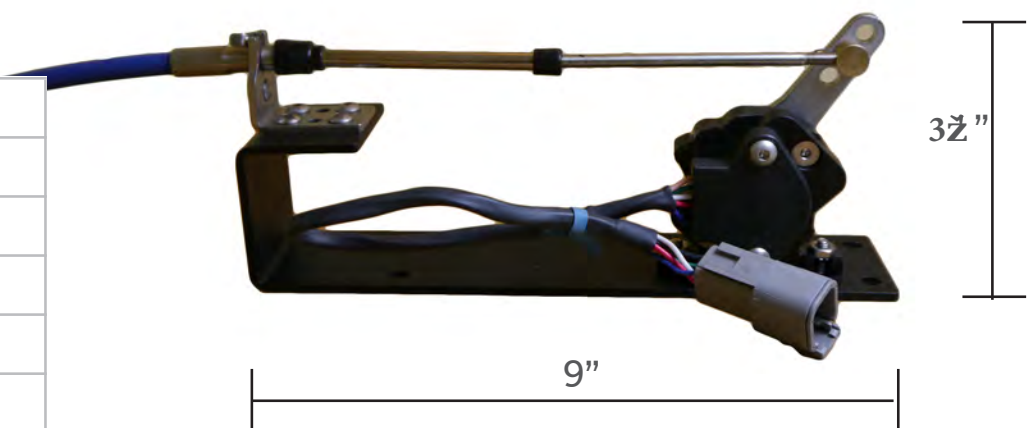


Mechanical to Electric Converter

- **Converts a mechanical 33C cable signal to an electric voltage or PWM signal**
- Obtain all the benefits of an electric control or position indication by converting the following:
 - Mechanical Throttle Controls
 - LED Indications for Tabs or Drives
 - Jet Pumps or Bucket Position
 - Rudder Position
- The converter operates using non-contacting magnetic position sensors with two independent outputs, rated IP68. Can be submerged in water.
- Potentiometers may be calibrated to any voltage ranging from .5V to 4.5V or a PWM signal
- Easy installation: bolts to the inside of the transom with a short 33C cable to your device
- Choose the connector for your application
Standard is 6 pin deutch - choose between single or dual potentiometer pott. *Specify engine and calibration.*
 - Steyr
 - Yanmar
 - Cummins
 - John Deere
 - Iveco
 - Caterpillar
 - Fiat
 - Bosch controllers
- Enjoy all the benefits of an electric control or position indicator.

Description	Part Number
converter 5V	CBME5V-2
33C cable 2 ft	CA2
33C cable 3 ft	CA3
33C cable 4 ft	CA4
33C cable 6 ft	CA6



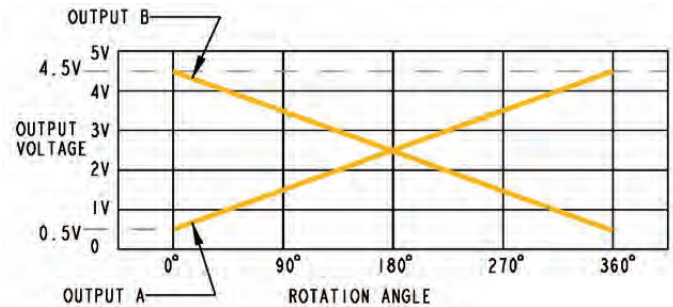
DUAL OUTPUT ANGULAR POSITION SENSOR

Non-contacting magnetic position sensor with two independent outputs Ideal for high reliability sensing applications

Features and Benefits

- Angular position sensor with high tolerance for misalignment
- Dual (redundant) outputs assure very high reliability
- Non-contact sensing up to full 360° rotation
- No mechanical interface
 - o Nothing to break or wear out
 - o No possibility of jamming or resistance to motion
- Sealed design meets IEC529 IP68 for immersion
- Rugged design includes EMI/ESD protection to SAE J1113 standards
- Maximum operating temperature of 125°C

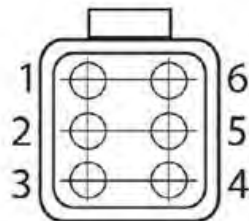
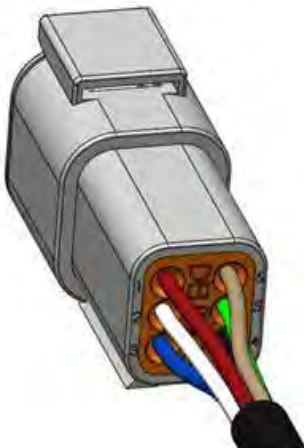
Typical Sensor Output Signal (Based on 5V Supply)



Electrical Specifications

Sensing Range	0 to 360 degrees of rotation
Input Voltage	5.0 VDC ± 10%
Output Voltage	0.5 to 4.5 VDC (ratiometric)
Output Accuracy (with supplied magnet) (65° - 360° rotation)	± 2.5% Full Scale
Output Smoothness (with supplied magnet) (65° - 360° rotation)	± 0.75% Full Scale for any 2% interval
Output Linearity (with supplied magnet) (65° - 360° rotation)	± 2.0% Full Scale
Max Supply Voltage	20 VDC
Reverse Voltage	-10 VDC
Maximum Output Current Range	8mA
Minimum Output Current Range	-8mA
Resolution	Analog
Electrostatic Discharge	SAE J1113-13; +/- 8kV
Immunity to Radiated Electronic Magnetic Fields	SAE J1113-4; 1 MHz to 400 MHz
Conducted Transient Emissions	SAE J1113-42; ± 25V
Operating Temperature	-40 to 125°C

DEUTSCH CONNECTOR DTM04 - 6P



Pin Number	Wire Color	Description
1	Red	PPS1 (5V)
2	White	PPS2 (5V)
3	Blue	PPS1 Signal
4	Black	PPS1 Ground
5	Green	PPS2 Ground
6	Tan	PPS2 Signal