

Industrial Series Gauges

Livorsi Industrial Series gauges are built for resilient performance and durability. Designed for marine, automotive and off road applications.

These analog gauges feature exceptional contrast with bold white graphics and pointer on a black dial.




The old style terminal connections of the gauge have been replaced with waterproof plug in Deutsch connectors. The Deutsch harness (DCH) plugs in to the back of the gauge and the 18 inch wire leads are labeled for your convenience.

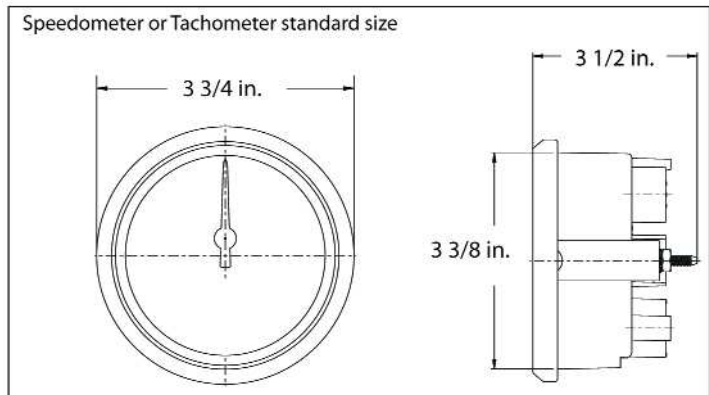
These gauges are available for a 12 or 24 volt system, please specify when placing your order.

- Plug in connectors are waterproof and resist salt corrosion
- Encased in non-ferrous hardware
- Red LED lighting is standard, increases visibility in low light conditions
- Fade resistant powder coated pointers
- SAE rims in black powder coat or polished stainless steel



Function	cutout size	overall size
Tachometer	3 3/8"	3 3/4"
Speedometer	3 3/8"	3 3/4"
Other Instruments	2 1/16"	2 3/8"

Color Codes	
Dial	 BK
Rim	 BK  PSS



Industrial Series Gauges

Gas Tachometers



6,000 RPM



8,000 RPM



10,000 RPM



12,000 RPM

Tachometers- Gas			
Description	Part Number		Requires
	black/black	black/stainless	
6,000 RPM	DCS6000BKBK	DCS6000BKPSS	DCH Harness
8,000 RPM	DCS8000BKBK	DCS8000BKPSS	DCH Harness
10,000 RPM	DCS10000BKBK	DCS10000BKPSS	DCH Harness
12,000 RPM	DC12000BKBK	DC12000BKPSS	DCH Harness
DCH Harness 12V			DCH
DCH Harness 24V, used to converts to a 24V			DCH24
DCH Harness with Tach Filter- 12V reduces needle spikes from noisy ignitions			DCTFH
Note: Industrial tachs work on 4, 6, & 8 cylinder V-10 & Merc O/B 6 pulse/12 pole			

Diesel Tachometers



4,000 RPM

Tachometers- Diesel 4000 RPM			
Description	Part Number		Requires
	black/black	black/stainless	
alt driven	DC4000DABKBK	DC4000DABKPSS	DCH Harness
mag probe driven	DC4000MPDBKBK	DC4000MPDBKPSS	DCH Harness
mechanical signal generator driven	DC4000MSGDBKBK	DC4000MSGDBKPSS	DCH Harness
DCH Harness 12V			DCH
DCH Harness 24V, used to converts to a 24V			DCH24
DCH Harness with Tach Filter- 12V reduces needle spikes from noisy ignitions			DCTFH
All three diesel tachs have the same dial graphics.			

GPS Speedometers - With Recall

Livorsi GPS Speedometers require a NMEA 0183 antenna/receiver.



50 MPH



80 MPH



100 MPH



120 MPH



140 MPH



160 MPH






180 MPH



GPSSQ3 antenna

- Mounts with a 1/4" screw
- Dimensions:
2 3/4" L x 2 3/8" W x 7/8" H

cutout size	overall size
3 3/8"	3 3/4"

Color Codes	
Dial	 BK
Rim	 BK  PSS

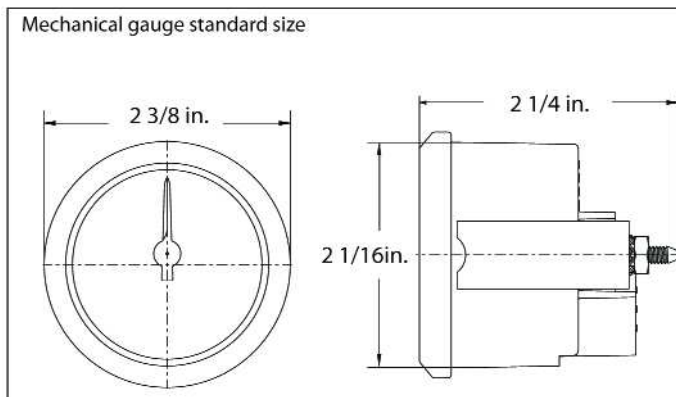
Description	Part Number		Notes
	black/black	black/stainless	
50 MPH	GPSS50BKBK	GPSS50BKPSS	For a GPS Kit, add the letter "K" after the MPH. Kit includes: - speedometer - antenna - memory recall - harness
80 MPH	GPSS80BKBK	GPSS80BKPSS	
100 MPH	GPSS100BKBK	GPSS100BKPSS	
120 MPH	GPSS120BKBK	GPSS120BKPSS	
140 MPH	GPSS140BKBK	GPSS140BKPSS	
160 MPH	GPSS160BKBK	GPSS160BKPSS	
180 MPH	GPSS180BKBK	GPSS180BKPSS	
GPS antenna	GPSSQ3		

Note: All GPS speedometers require a NMEA0183 compliant antenna/receiver.

Industrial Series Gauges

Mechanical Gauges

Description	Part Number		Requires
	black/black	black/stainless	
Boost 0-35 PSI	DCSMB35BKBK	DCSMB35BKPSS	hose kit
Fuel Pressure 0-15 PSI	DCSMFPBKBK	DCSMFPBKPSS	see page 35 for stainless hoses
Fuel Pressure 0-100 PSI	DCSMFP100BKBK	DCSMFP100BKPSS	
Oil Pressure 0-100 PSI	DCSMOPBKBK	DCSMOPBKPSS	hose kit
Vacuum/Boost 30 in hg/boost20	DCSMVBBKBK	DCSMVBBKPSS	hose kit
Water Pressure 0-35 PSI	DCSMWPBKBK	DCSMWPBKPSS	hose kit
Water Pressure 0-60 PSI	DCSMWP60BKBK	DCSMWP60BKPSS	hose kit
Hose Kits - not to be used with fuel			
10 feet of hose and fittings	HKA		
25 feet of hose and fittings	HK		



boost 0-35 PSI



fuel pressure 0-15 PSI



fuel pressure 0-100 PSI



oil pressure 0-100 PSI



vacuum boost



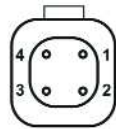
water pressure 0-35 PSI



water pressure 0-60 PSI

Gauge Hardware

4 Pin Connector & Wire Harness
 - 18 inches in length
 - Pre-assembled and labeled



Pin # 1 = BLUE 12v+ illumination
 Pin # 2 = VIOLET 12v+ ignition power
 Pin # 3 = BLACK engine or battery ground
 Pin # 4 = GREEN signal from sender

DCH Harness	
12 volt system	DCH
24 volt system	DCH24
12 volts w/ tach filter	DCTFH

Livorsi can provide you with the necessary parts to build your own Deutsch harnesses.

Example:

Parts needed to build a complete DCH connector harness:

- A. (1)- 4 pin connector plug
- B. (1)- 4 pin wedge lock
- C. Appropriate contacts for connectors

Connector Parts	
Description	Part Number
2 Pin - mechanical lights	
2 pin connector plug	DC2CPLUG
2 pin connector wedge lock	DC2CWL
4 Pin - electrical gauges	
4 pin connector plug	DC4CPLUG
4 pin connector wedge lock	DC4CWL
8 Pin - power distribution	
8 pin connector plug	DC8CPLUG
8 pin connector wedge lock	DC8CWL
12 Pin - power distribution	
12 pin connector plug	DC12CPLUG
12 pin connector wedge lock	DC12CWL
dummy plug	DCDP
contacts for 16 gauge wire	DCC1416
Hand Crimper	DCHCS

Description	Part Number
Senders	
Fuel Pressure 0-60 PSI / 0-90 PSI	GSFP60/90
Fuel & Water Pressure 0-15 PSI	GSFP/WP
Isolated Ground for Water Temperature	GSWT1/8I
Oil Pressure 0-80 PSI	GSOP80
Oil Pressure 0-100 PSI	GSOP
Oil / Water Temperature 100-320°F Water Temperature 100-250°F 1/8" thread	GSOT1/8
Pressure 400 PSI	GSP400
Water Temperature- Merc OB Kit	GSWTM
Water Temperature 100-280°F 1/8" thread	GSWT1/8
Bushing Kit 1 /4", 3/8" and 1/2" fittings	GSBKK1
Memory Tach Recall includes black box, switch plate, switch and boot	
recall with black switch plate	MTRBK
recall with white switch plate	MTRW
Hose Kit for Mechanical Gauges not to be used with fuel 1/8 in ID	
10 feet of hose and fittings	HKA
25 feet of hose and fittings	HK

See page 45 for fuel level & water level senders.

Industrial Series Gauges

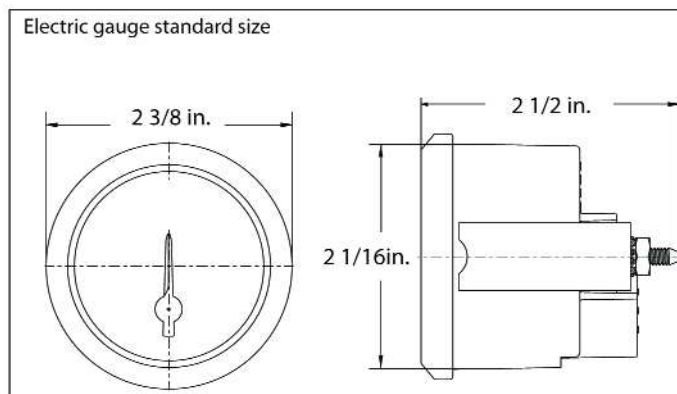
Electric Gauges




These electric gauges require the use of a four pin Deutsch connector wire harness (unless otherwise noted) that we call a DCH harness.

We offer these harnesses pre-assembled for 12V or 24V systems, with labeled wire leads 18 inches in length. Please specify when ordering.



Description	Part Number		Requires
	black/black	black/stainless	
Boost 60 PSI	DCSB60BKBK	DCSB60BKPSS	-
Fuel Level 0-90 OHMS	DCSFLGMBKBK	DCSFLGMBKPSS	DCH/DCH24, fuel level sender
Fuel Level 240-33 OHMS	DCSFLBKBK	DCSFLBKPSS	DCH/DCH24, fuel level sender
Fuel Pressure 0-15 PSI	DCSFPBKBK	DCSFPBKPSS	DCH/DCH24, GSFP/WP
Fuel Pressure 0-90 PSI	DCSFP90BKBK	DCSFP90BKPSS	DCH/DCH24, GSFP60/90
Hourmeter	HMBKBK	HMBKPSS	-
Oil Pressure 0-80 PSI	DCSOP80BKBK	DCSOP80BKPSS	DCH/DCH24, GSOP80
Oil Temperature 140-340° F	DCSOTBKBK	DCSOTBKPSS	DCH/DCH24, GSOT1/8
Transmission Temp 140-340° F	DCSTTBKBK	DCSTTBKPSS	DCH/DCH24, GSOT1/8
Trimmer Merc & Yamaha 10-90 OHMS	DCSTMMBKBK	DCSTMMBKPSS	DCH/DCH24
Trimmer OMC 88-1 OHMS	DCSTMOBKBK	DCSTMOBKPSS	DCH/DCH24
Voltmeter 8-18V	DCSVMBKBK	DCSVMBKPSS	DCH/DCH24
Voltmeter 22-32V	DCSVM24BKBK	DCSVM24BKPSS	DCH/DCH24
Water Level	DCSWLBKBK	DCSWLBKPSS	DCH/DCH24, water level sender
Water Temperature 100-250° F	DCSWTABKBK	DCSWTABKPSS	DCH/DCH24, GSOT1/8
Water Temperature 100-280° F	DCSWTBKBK	DCSWTBKPSS	DCH/DCH24, GSWT1/8
DCH Harnesses- pre-assembled			
12 volt system, 18 inch leads	DCH		
24 volt system, 18 inch leads	DCH24		



Color Codes	
Dial	 BK
Rim	 BK  PSS

Industrial Series Gauges



boost 60 PSI



fuel level



fuel pressure 0-15 PSI



fuel pressure 0-90 PSI



hourmeter



oil pressure 0-80 PSI



oil temperature 140-340° F



transmission temp 140-340° F



trimmer



voltmeter 8-18 V



voltmeter 22-32 V



water level



water temperature 100-250° F



water temperature 100-280° F

Specify 12V or 24V