

Stainless Steel LED Navigation Lights

ABYC & USCG Certified NMMA Accepted

Livorsi has developed a small powerful navigation light that flush mounts directly into the side of the hull or t-top. Standard size is for hull mounts and smaller size for t-tops. These stylish lights are made of 316 stainless steel, highly anticorrosive and water resistant.

LED lights outlast and out shine regular incandescent bulbs. LED lights use up to 90% less energy; these Livorsi nav lights only consume 1/10th of an amp at 14 volts. This means a longer life and less rigging time switching out lights.

These lights are to be used on **any vessel up to 65 feet** and are designed to be mounted on a vertical surface to allow the light pattern to be unobstructed from view.

The optional flat adapter plate is available for White Industries & TH lights. Plate measures: 8" L x 2 1/4" W. The 24° adapter plate measures 2.25" W X 4" L.

- Standard size and smaller t-top size
- Made of 316 stainless steel polished finish
- Available for 12 or 24 volt systems
- Consumes 90% less energy than incandescent lights
- Visible for 2 nautical miles
- For use on any vessel up to 65 feet

T-Top Version



Standard Version



Port

Starboard



Example of LED navigation light flush mounted on boat

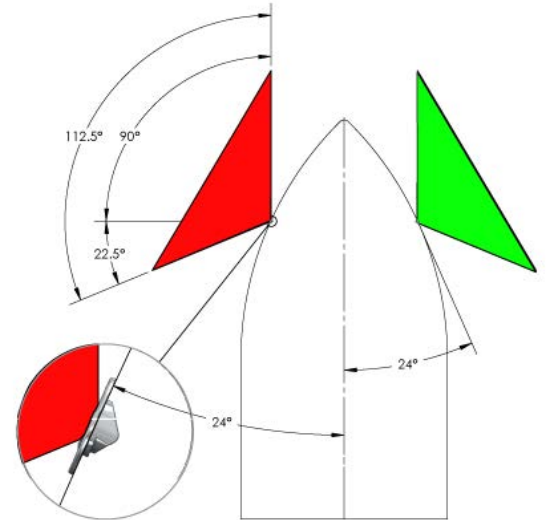
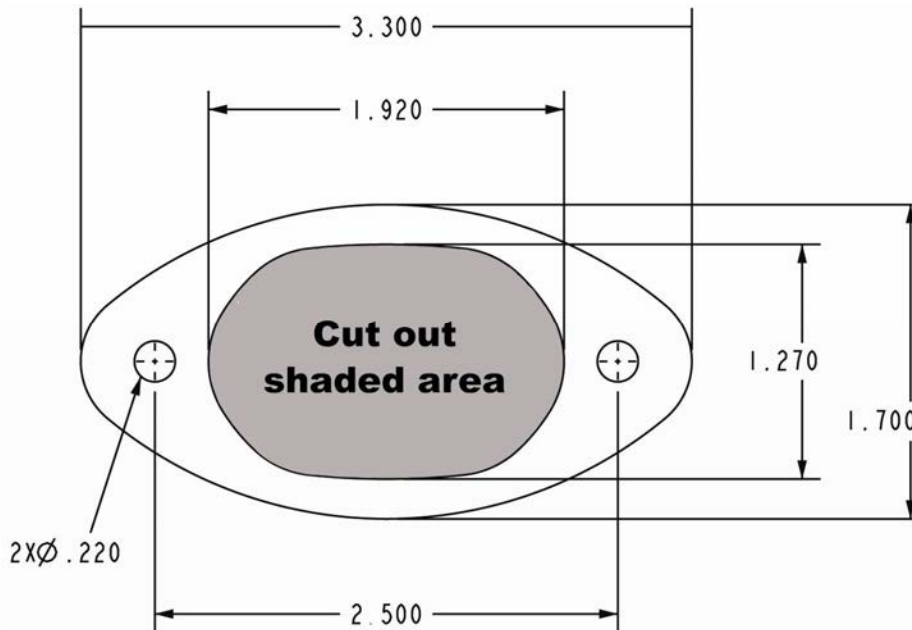


Adapter Plate - Flat



Adapter Plate - 24°

LED NAV LIGHTS: Standard

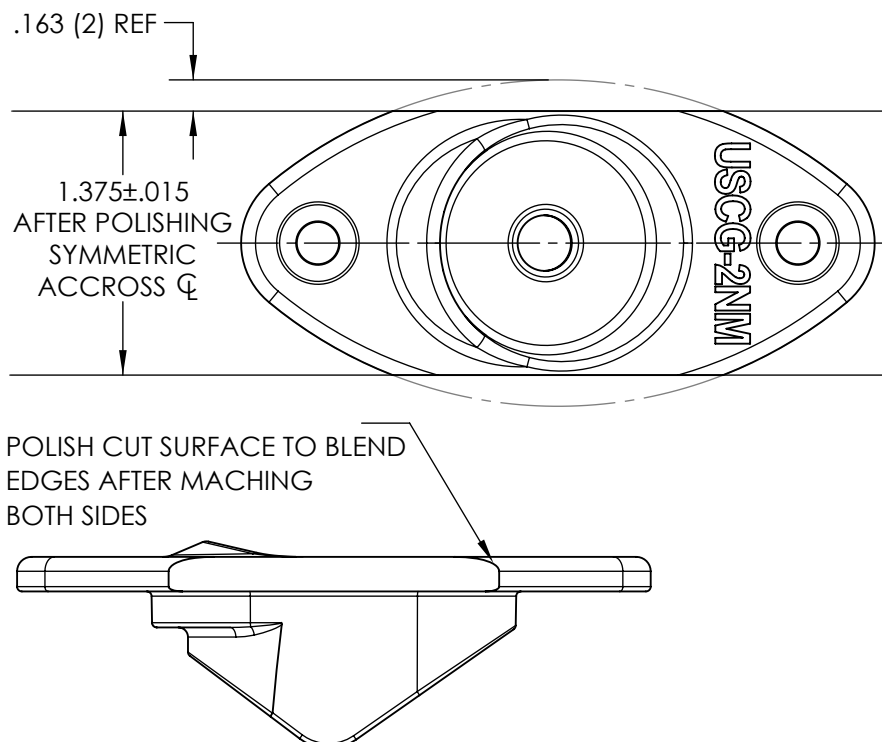


ABYC SECTION A-16:

Sidelights - The starboard sidelight showing green, and the port sidelight showing red, from dead ahead to 22.5° abaft the beam ($90^\circ + 22.5^\circ = 112.5^\circ$) on their respective sides. Angle must be maintained per Coast Guard regulations.

Mounting angle for Livorsi Navigation Light is 24° relative to centerline of boat.

LED NAV LIGHTS: T-top



Part Numbers

Part #	Description
LEDNL2R	Port: Standard
LEDNL2G	Starboard: Standard
LEDNL2HTR	Port: T-Top
LEDNL2HTG	Starboard: T-Top
LEDNLAP	Adapter Plate: Flat
LEDAP	Adapter Plate: Allows 24 ° Mount on Center Console